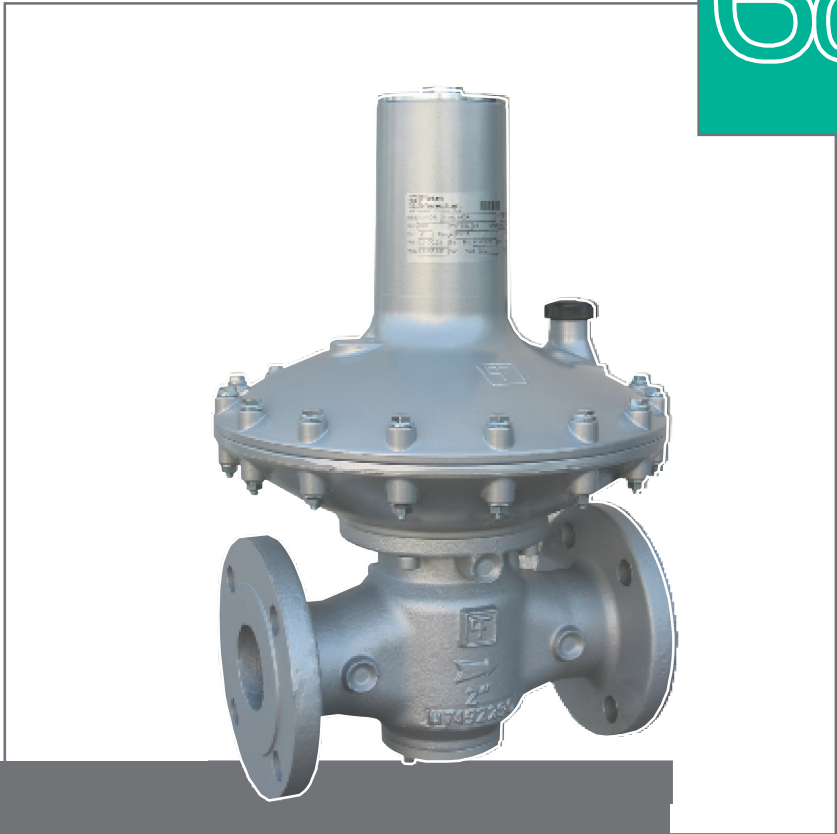


MT-185-R



Dival
600



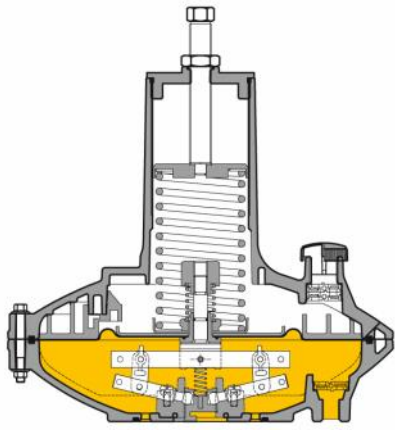
,

 Pietro
Fiorentini®

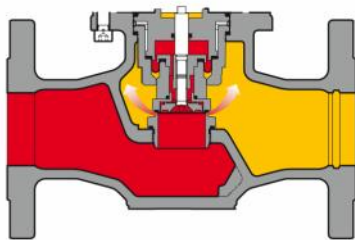


ABITON

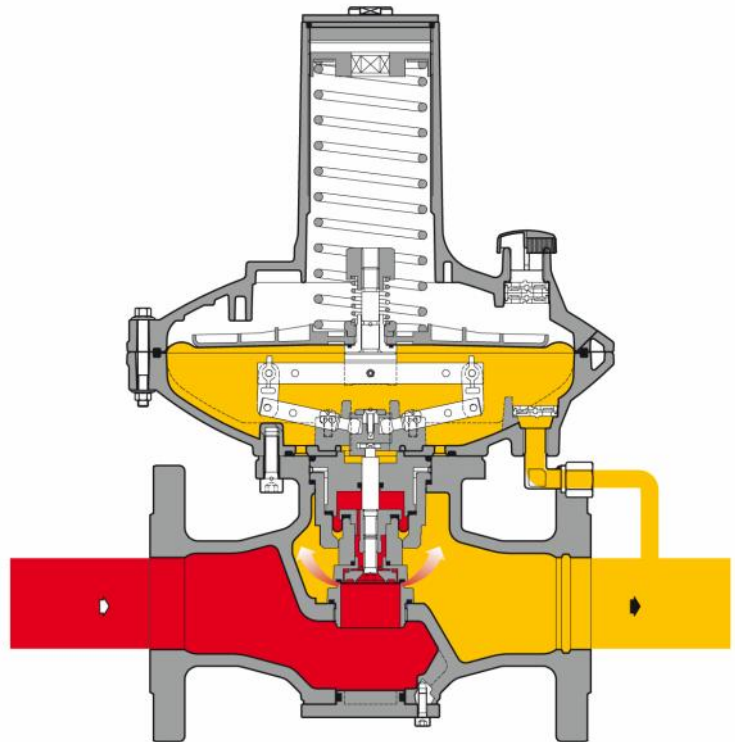
Dival 600



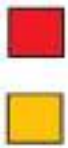
TR ()



3-



4-





P

-
-
-
-

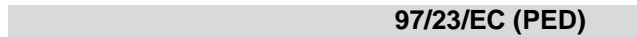


EN 12186 EN 12279;
6.2, 7.4, 7.6 9.3 6.2, 7.5.2, 7.7 9.3 EN
EN 12279.

(PS).



(/)



Dival 600

97/23/EC (PED).

Dival 600

PED PED
PED

PED.

(PS)

(SG)

•
•
•
•
•
•
•

:
 (),
 (),
 ,
 ,
 (/),

3)

		: UNI 10702 UNI 10702 /EC)					
		(3/)					
		Q _{nom} >120		60 < Q _{nom} < 120		Q _{nom} <60	
0,04 0,5	*)	1 .2	1 .8	1 .3	***)	***)	
0,5 5,0	*)	1 . **)	1 .7	1 .2			
5,0 12	*)	1 . **)	1 .5	1			
*)							
**) 18							
***)							

Q_{nom} = , 3/

1.0 6

1.1		6
1.2	DIVAL600	6
1.3		7

2.0 10

2.1		10
2.2		11
2.3		12

3.0 12

3.1		LAY	12
3.2		LAY	14
3.3	DIVAL600,		15
3.3.1			15
3.4			15

4.0 16

4.1		16
4.1.1		16
4.1.2		16

5.0 17

5.1		17	
5.2	,	17	
5.3		18	
5.4		LAY...	18
5.5	DIVAL LAY...	19	

6.0 20

6.1	8	DIVAL600	20
6.2	9	LAY...	20

7.0 23

7.1		23
7.2		23
7.3	DIVAL600	23
7.4	DIVAL600	26
7.5	LAY...	30

8.0 31

8.1		31
8.2		31

1.0

DIVAL 600.

1.1

DIVAL 600

Dival 600

PS: 20 ;
 : -30 °C ÷ +60 °C;
 bpu: 0,2 20
 Wd:
 Ø280;
 Ø280/TR ();
 : 0,1 ;

10 ÷ 350
 280 ÷ 4400

AC: 5 (

SG: 10 (

1.2

DIVAL 600 (. 1)

9 3 Pd 13 (. 1).

43

19.

A,

13 3.

19,

13,

19,

43;

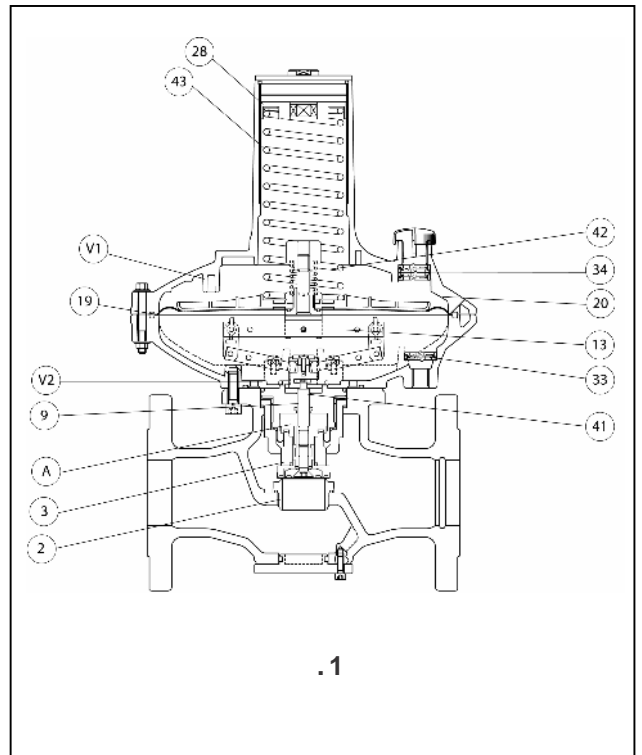
3

Pd

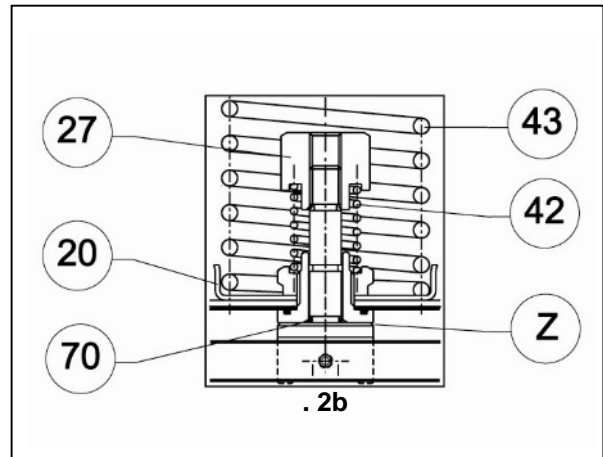
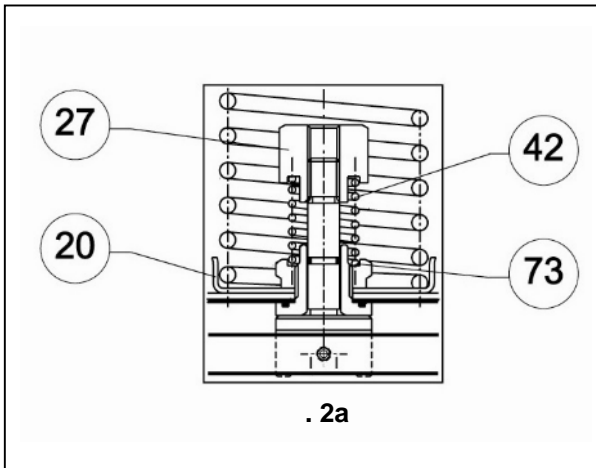
2.

43.

3 Pd
 28,
 (. 1),
 / 33 34
 V1 V2,
 19 43.



. 2',
 20 V1,
 42,
 . 2a
 70 (. 2b). 73
 20, 42 43.
 Z



27 (

).

1.3

. 1

1

DIVAL 600 DN 25-32							
		De	Lo	d	()		
2701345		65	180	3.5	10 ÷ 18		
2700525 *		22	2	40			
2701620		65	180	4	15 ÷ 30		
2700525 *		22	40	2			
2701860		65	180	4.5	25 ÷ 49		
2700525 *		22	40	2			
2702190		65	180	5	40 ÷ 75		
2700645 *		22	40	2,3			
2702370		65	180	5.5	62 ÷ 120		
2700645 *		22	40	2,3			
2702540		65	180	6	100 ÷ 170		
2700645 *		22	40	2,3			
2702730		65	180	6,5	145 ÷ 270		
2700645 *		22	40	2,3			
2702950		65	180	7	230 ÷ 350		
2700645 *		22	40	2,3			
2701345		65	180	3.5	8 ÷ 15		
2700525 *		22	40	2			
2701620		65	180	4	12 ÷ 26		
2700525 *		22	40	2			
2701860		65	180	4.5	21 ÷ 46		
2700525 *		22	40	2			
2702190		65	180	5	36 ÷ 70		
2700645 *		22	40	2,3			
2702370		65	180	5.5	57 ÷ 120		
2700645 *		22	40	2,3			
2702540		65	180	6	100 ÷ 170		
2700645 *		22	40	2,3			
2702730		65	180	6,5	145 ÷ 270		
2700645 *		22	40	2,3			
2702950		65	180	7	230 ÷ 350		
2700645 *		22	40	2,3			

De = Ø d = Ø Lo = * =

DIVAL 600 DN 40-50 BP						
		De	Lo	d	()	
2701345		65	180	3,5	10 ÷ 18	
2700525 *		22	40	2		
2701620		65	180	4	15 ÷ 30	
2700525 *		22	40	2		
2701860		65	180	4,5	25 ÷ 49	
2700525 *		22	40	2		
2702190		65	180	5	40 ÷ 75	
2700645 *		22	40	2,3		
2702370		65	180	5,5	62 ÷ 90	
2700645 *		22	40	2,3		
2701345		65	180	3,5	8 ÷ 15	
2700525 *		22	40	2		
2701620		65	180	4	12 ÷ 26	
2700525 *		22	40	2		
2701860		65	180	4,5	21 ÷ 46	
2700525 *		22	40	2		
2702190		65	180	5	36 ÷ 70	
2700645 *		22	40	2,3		
2702370		65	180	5,5	57 ÷ 90	
2700645 *		22	40	2,3		

DIVAL 600 DN 40-50 MP							
		De	Lo	d	()		
2702370		65	180	5,5	75 ÷ 120		
2700645 *		22	40	2,3			
2702540		65	180	6	100 ÷ 170		
2700645 *		22	40	2,3			
2702730		65	180	6,5	145 ÷ 270		
2700645 *		22	40	2,3			
2702950		65	180	7	230 ÷ 350		
2700645 *		22	40	2,3			
2702370		65	180	5,5	75 ÷ 120		
2700645 *		22	40	2,3			
2702540		65	180	6	100 ÷ 170		
2700645 *		22	40	2,3			
2702730		65	180	6,5	145 ÷ 270		
2700645 *		22	40	2,3			
2702950		65	180	7	230 ÷ 350		
2700645 *		22	40	2,3			

De = Ø d = Ø Lo = * =

DIVAL 600 DN 25-40-50 TR						
		De	Lo	d	()	
2702940		65	150	7	280 ÷ 720	
2700999		22	37	3		
2703125	-	65	150	7,5	590 ÷ 1000	
2700999		22	37	22		
2703325	-	65	150	8	840 ÷ 1250	
2700999		22	37	3		
2703685	-	65	150	9	1050 ÷ 2300	
2700999		22	37	3		
2704180	-	65	147	10,5	2000 ÷ 4400	
2700999		22	37	3		
2702940		65	150	7	280 ÷ 720	
2700999		22	37	3		
2703125	-	65	150	7,5	590 ÷ 1000	
2700999		22	37	3		
2703325	-	65	150	8	840 ÷ 1250	
2700999		22	37	3		
2703685	-	65	150	9	1050 ÷ 2300	
2700999		22	37	3		
2704180	-	65	147	10,5	2000 ÷ 4400	
2700999		22	37	3		

De = Ø d = Ø Lo = * =

2.0

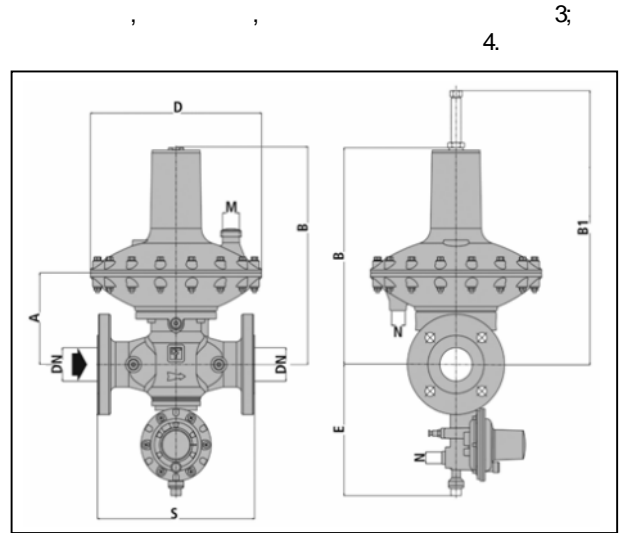
2.1

PS,

MI Pd 1,1 PS.

2a);

2b);

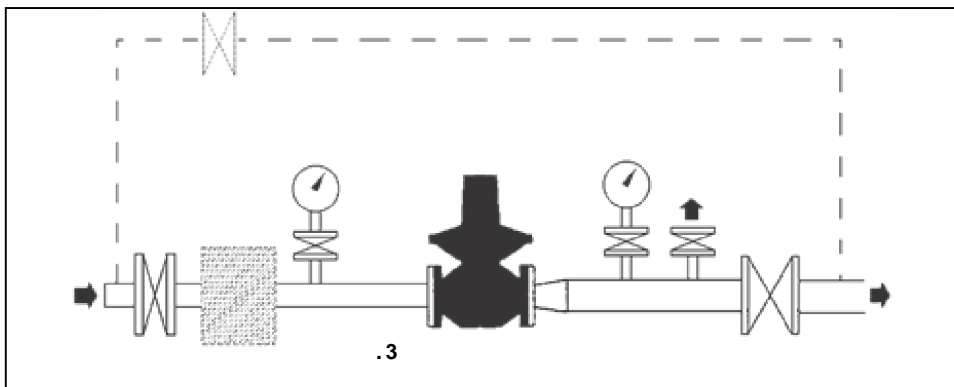


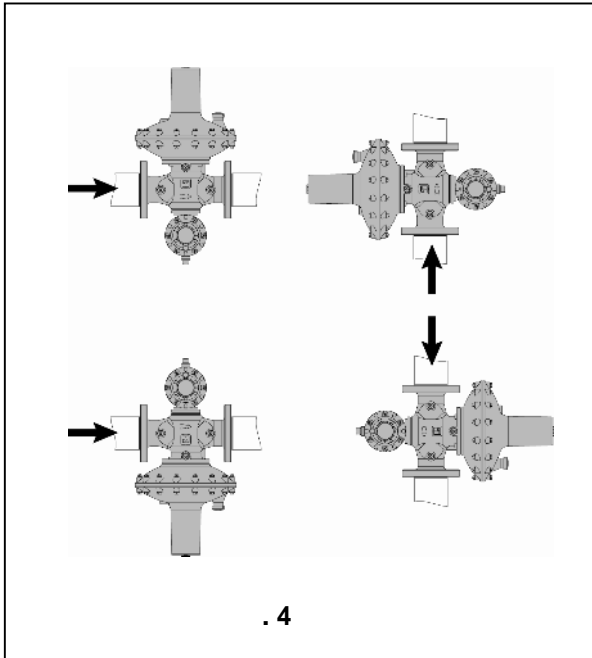
. 2a:

	NPS	S	A	B	B1	E	D	M	N	
Dival 600	25	1"	183	145	343	433	215	280	Rp 1/2"	Rp 1/4"
Dival 600	40	1"1/2	223	145	343	433	215	280	Rp 1/2"	Rp 1/4"
Dival 600	50	2"	254	158	343	433	215	280	Rp 1/2"	Rp 1/4"
Dival 600	G2"	2 NPT	152,4	158	343	433	215	280	Rp 1/2"	Rp 1/4"

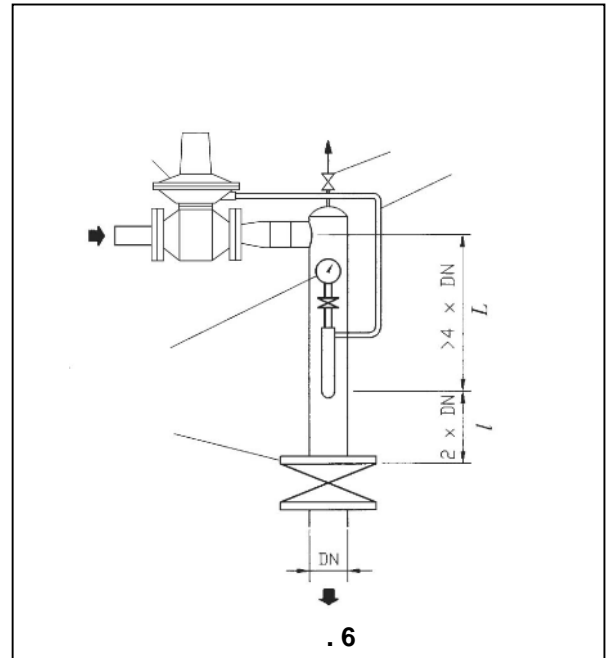
. 2b:

	NPS	Dival	Dival	LA...
Dival 600	25	1"	15	16
Dival 600	40	1"1/2	17	18
Dival 600	50	2"	20	21
Dival 600	G2"	2 NPT	18	19





. 4

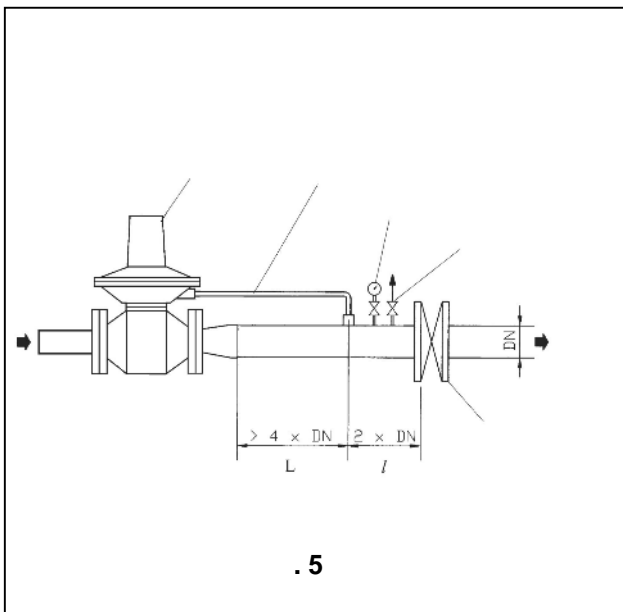


. 6

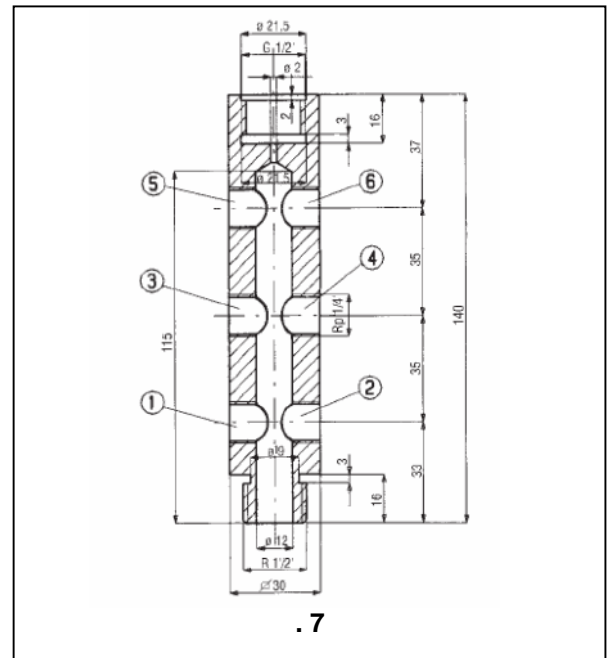
2.2

.3:

8 .



. 5



. 7

4.

EN 12186 EN 12279.

EN 12186 EN 12279.

a)

5-10%

b)



.4	
Vmax = 25 /	1,5 < Pd < 5
Vmax = 20 /	0,5 < Pd 1,5
Vmax = 15 /	Pd 0,5

2.3

(DIVAL 600,)

3.0

DIVAL 600

(4).

3.1

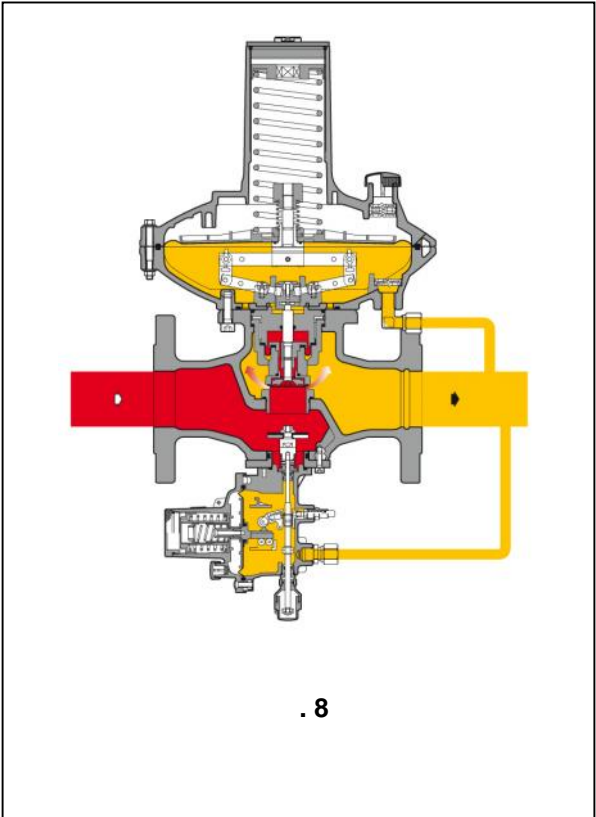
LA/...

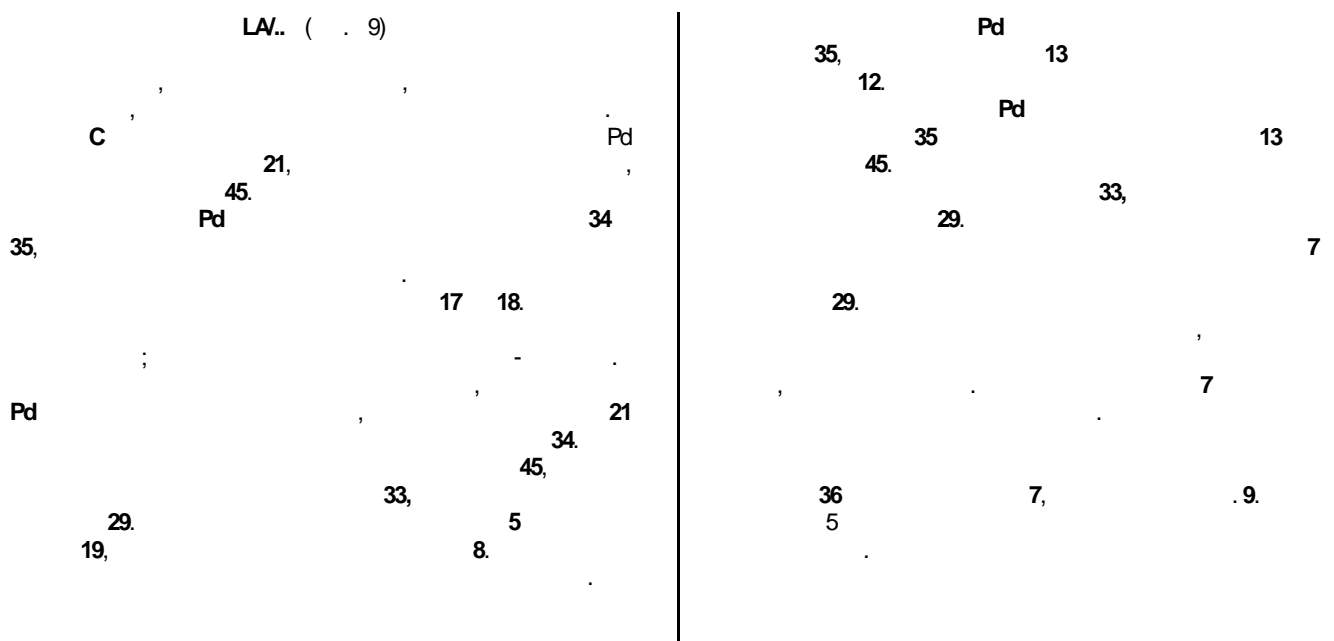
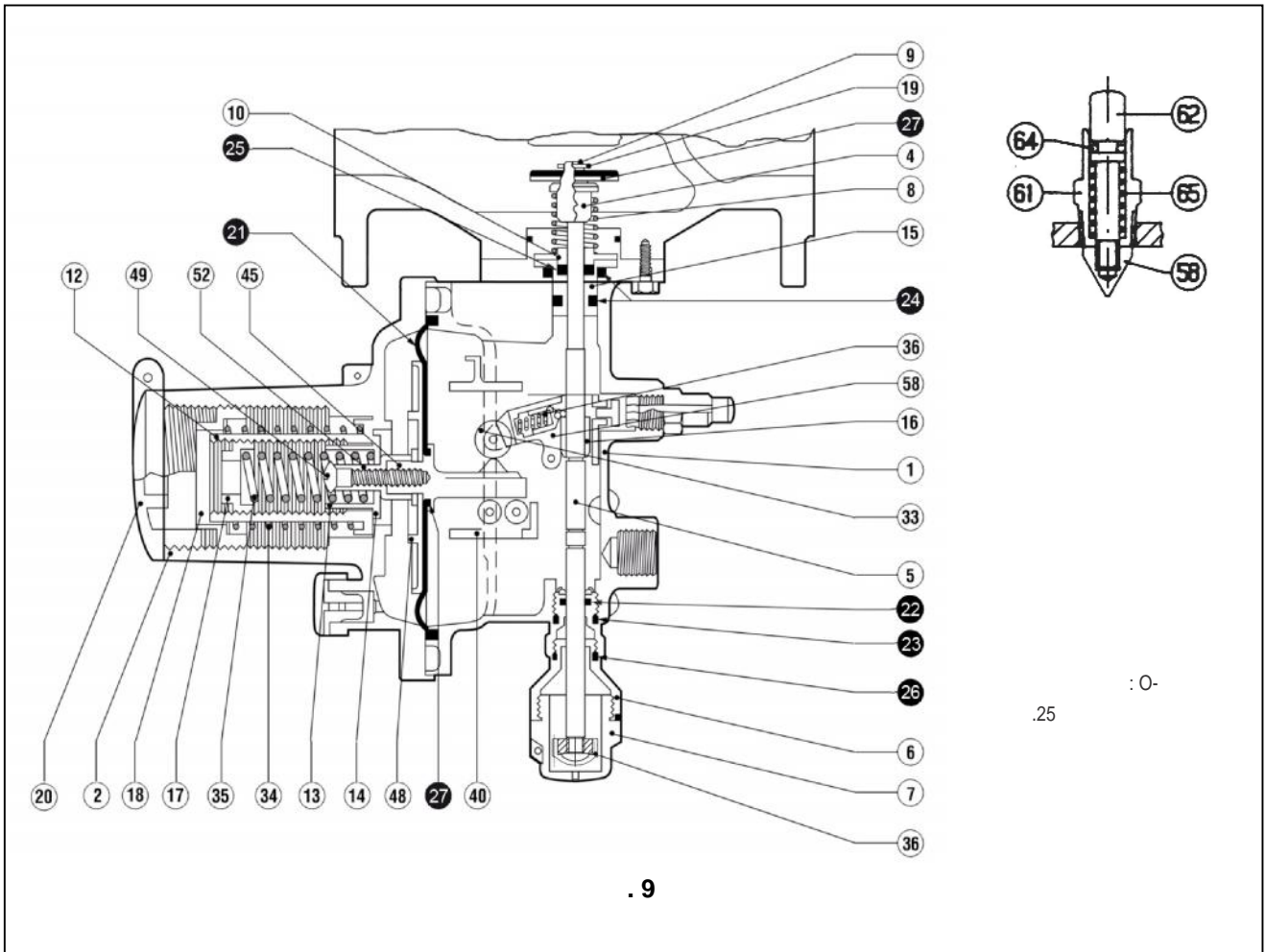
(8-9),

DIVAL 600

(LA/BP, LA/MP LA/TR)

- PS: 20 ;
- AG: ± 5% () ;
- ± 15% () ;
- ;
- ;





3.2

.5

LA/...

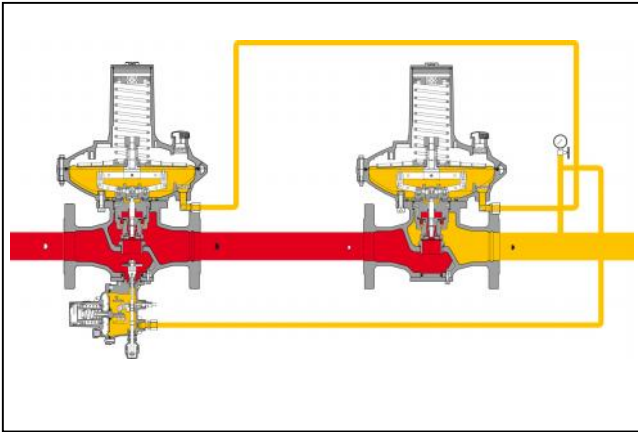
					LA/BP
		De	Lo	d	
64470112RO		34	43	2.2	30 ÷ 50
64470115GR			42	2.8	50 ÷ 180
64470024BI		15	45	1.3	6 ÷ 60
					LAMP
64470115GR		34	42	2.8	140 ÷ 180
64470116GI			40	3.2	180 ÷ 280
64470051BI			50	3.2	280 ÷ 450
64470024BI		15	45	1.3	10 ÷ 60
6470038GI			40	2	60 ÷ 240
					LA/TR
64470116GI		34	40	3.2	250 ÷ 550
64470051BI			50	3.2	550 ÷ 850
64470057BL			50	3.5	850 ÷ 1500
64470058AR			50	4	1500 ÷ 2500
64470059AZ			50	4.5	2500 ÷ 4000
64470060NE			50	5	4000 ÷ 5500
64470038GI		15	40	2	100 ÷ 500
64470045MA			40	2.5	500 ÷ 1000
64470046BL			40	3	1000 ÷ 2000
64470149NE			43	3.2	2000 ÷ 3500

De = Ø d = Ø

Lo =

3.3 DIVAL 600,

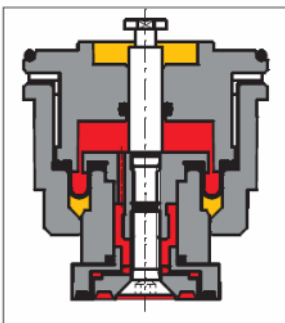
PIETRO FIORENTINI



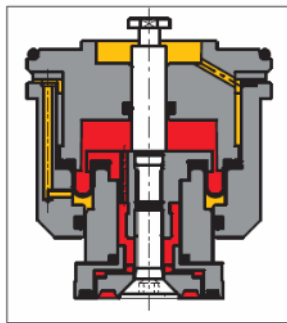
3.3.1

DIVAL 600

. 11.



. 11a

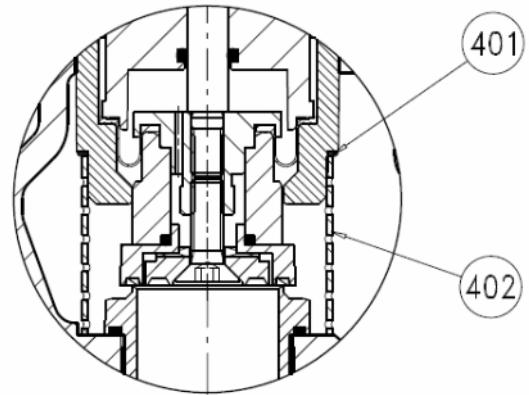


. 11b

3.4

Dival 600

Dival 600



. 12

4.0

4.1

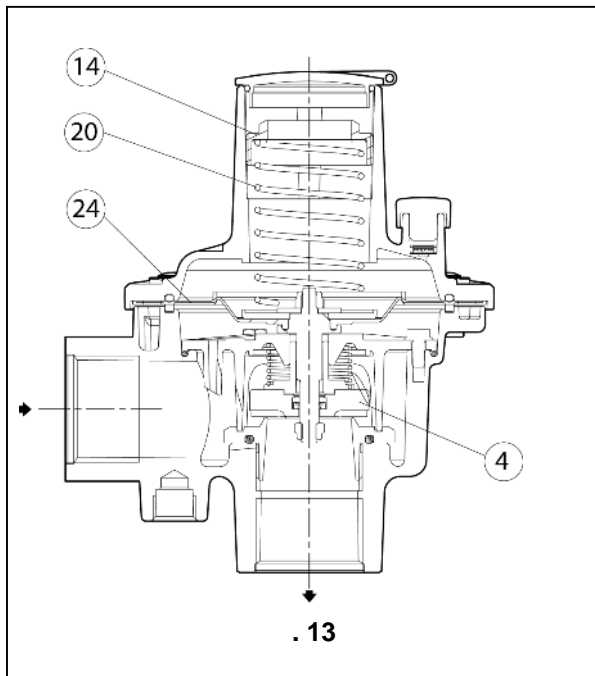
VS/AM 65 (. 13).

24,

20.

4.

4



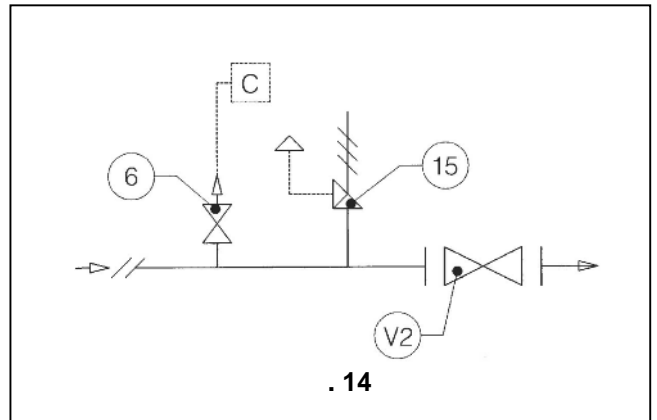
4.1.1

(. 14).

- 1) , ... ; V2
- 2) 6 ; 6
- 3) 6 ;

14 (

).



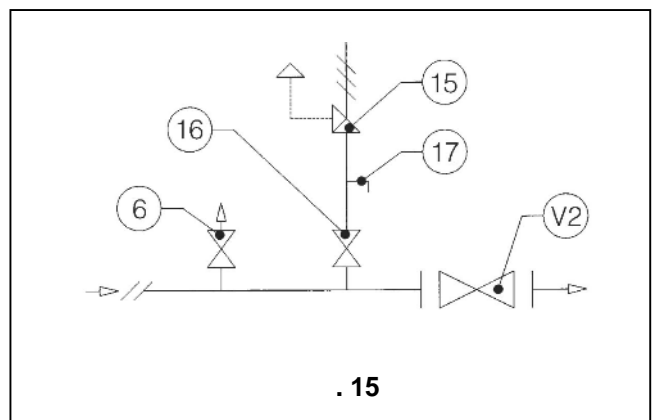
4.1.2

(. 15)

- 1) 16;
- 2) 17
- 3) ;

14 (

).



5.0

5.1

(. 16).

“DIVAL/M”.

Pietro Fiorentini		CE	REGULATOR		DIVAL 600	T: _____
S.n.:	PS:	Pumax:	bar			
DW:	Flange:	AC:				
Wd:	Bp:	SG:	bar			
Wds:	Fluido:	Cg:	METANO			

Pietro Fiorentini		SLAM SHUT DEVICE		1.2
S.n.:	Wds:	bar		
T:	Wss:	bar		
AG:	Wss:	bar		
AG:	Wds:	bar		

. 16

CE =

97/23/CE PED

Pumax=

bpu=

PS=

Wds=

Wd=

Cg KG =

AC=

SG=

AG=

Wdso=

Wdo=

Wdsu=

Wdu=

5.2

5 / .

-
-

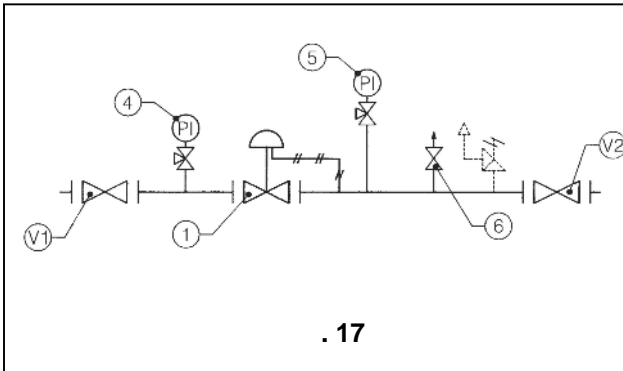
),

6 7

6 7.

5.3

4.1.

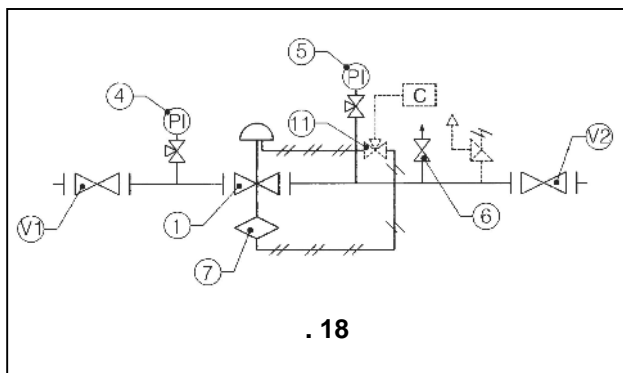


- 1) ; 6,
- 2) V1;
- 3) 5
- (. 1), ;
- 4) ;
- 5) ;
- 6) V1 V2; V2

5.4

LA/...

4.1.



- A) 7 ;
- "push" 11
- (. 19):

C

;

;

1 "push";

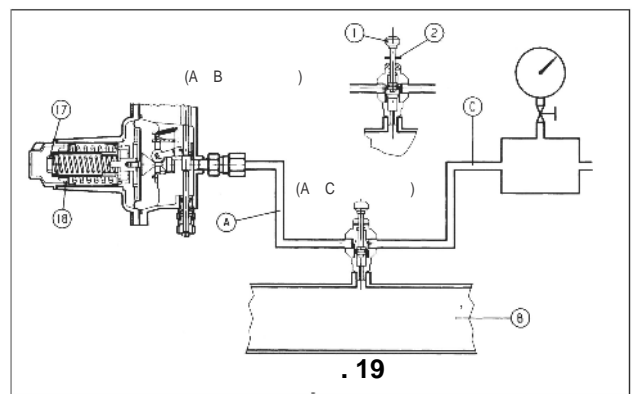
1 :

;

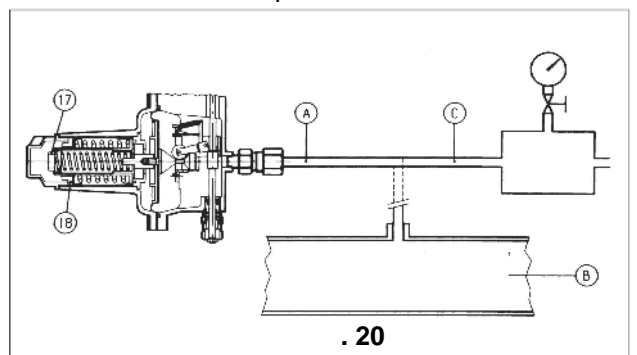
18,

18 17.

2-3



B) "push" (.20)



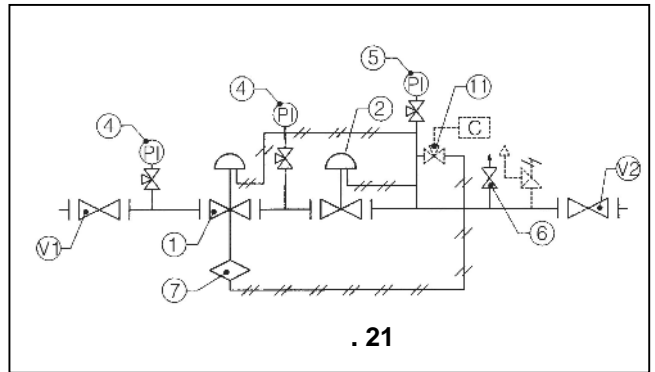


1) ;
 2) V1;
 3) ;
 4) 6,
 5) 5 ,
 6) 6 ;
 7) ;
 8) V1 V2; V2;
 9) ;

. 6		Dival	
(Pds)	600 +	+	
10 < Pds 15	Pds x 1.7	Pds x 2	10
15 < Pds 19			Pds x 0.56
19 < Pds 24	Pds x 1.55	Pds x 1.77	Pds x 0.57
24 < Pds 35		Pds x 1.7	Pds x 0.6
35 < Pds 40	Pds x 1.4	Pds x 1.52	
40 < Pds 70		Pds x 1.4	
70 < Pds 80	Pds x 1.3	Pds x 1.46	Pds x 0.7
80 < Pds 100		Pds x 1.5	
100 < Pds 750		Pds x 1.16	Pds x 1.2
750 < Pds 1000			
1000 < Pds 2500			
2500 < Pds < 4400			

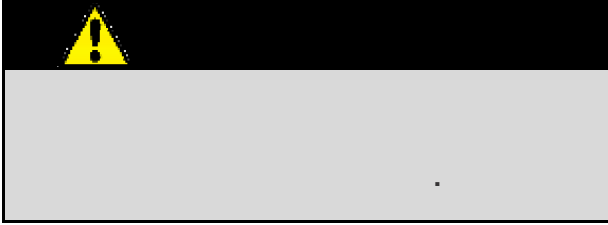
5.5
 DIVAL 600
 LA/...

4.1



. 21

A) 7 ;
 "push" 11
 (. 19)
 C
 ;
 1 "push";
 1 :
 18,
 18 17.
 2-3
 B) "push" (. 20)



1) ; 6 .
 2) ; 6,
 3) 2
 4) ; V1;
 5) ;
 6) 5 ;
 1. ;

7) 6
 8) 1;
 9) 6;
 10) ;
 11) 5 ; 2
 12) 6 ;
 13) 2;
 14) V1 V2; V2,
 15) ;

.7 Dival 600 + + +					
(Pds)					
10<Pds 15	Pds + 5	Pds x 1.7	Pds x 2	10	
15<Pds 19				Pds x 0.56	
19<Pds 24				Pds x 0.57	
24<Pds 35		Pds x 1.55	Pds x 1.77	Pds x 0.6	
35<Pds 40					Pds x 1.7
40<Pds 70					Pds x 1.52
70<Pds 80	Pds x 1.15	Pds x 1.3	Pds x 1.4	Pds x 0.6	
80<Pds 100					Pds x 1.46
100<Pds 750					Pds x 1.5
750<Pds 1000	Pds x 1.07	Pds x 1.16	Pds x 1.2	Pds x 0.7	
1000<Pds 2500					
2500<Pds<4400					

6.0

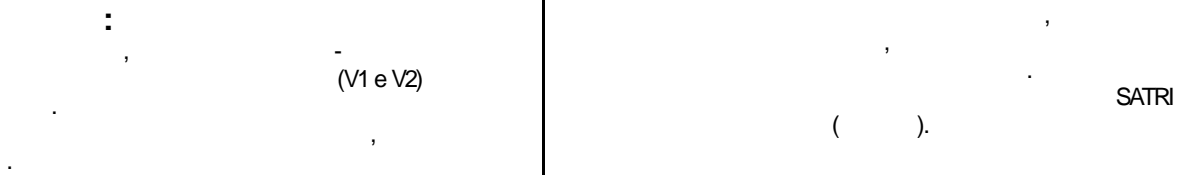
Pietro Fiorentini SpA

6.1 . 8 DIVAL 600 (. 22, 23, 24, 25 26)

		[2]	
Q=0		[211]	
	O-	[202]	
	O-	[213]	
	O-	[215]	
		[209]	
			/
Pa Q>0		[321]	
		[209]	

6.2 . 9 LA/... (. 27)

		[16]	
		[10]	
	O-	[66]	
		[7]	
	/	[12] /	
		[13]	



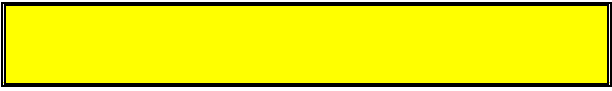
7.0


7.1

Florentini
 SR
 SR
 24, 25, 26 27.
 Pietro Florentini S.p.A.
 5 /


PED,
 ;

7.2 **DIVAL**
600



DIVAL 600 + LA

 A.
 B. 0.

7.3 **DIVAL 600**
 (. 22-23-24-25-26)

1)
 (
);


2)

(341); (352), (354)



3)

(310) (47), (340);



4)

(340);



5)

(332) (331);



6)

(320);



7)

(321) (324) (323); (322),

8)

(301);



9) (46);



10) (300) (200)
(1);



11) (200) (300)
(203) (312);



12) (207) (212) (211), (203)
(200);



13) (2), ;



14) (10). (48)



(- ,
,),
(209)
,
(2),
(352)
(300 2)
,
9 , 1 ,
: (318),
;

7.4

1) ;



2) 3 Loctite 495 ;

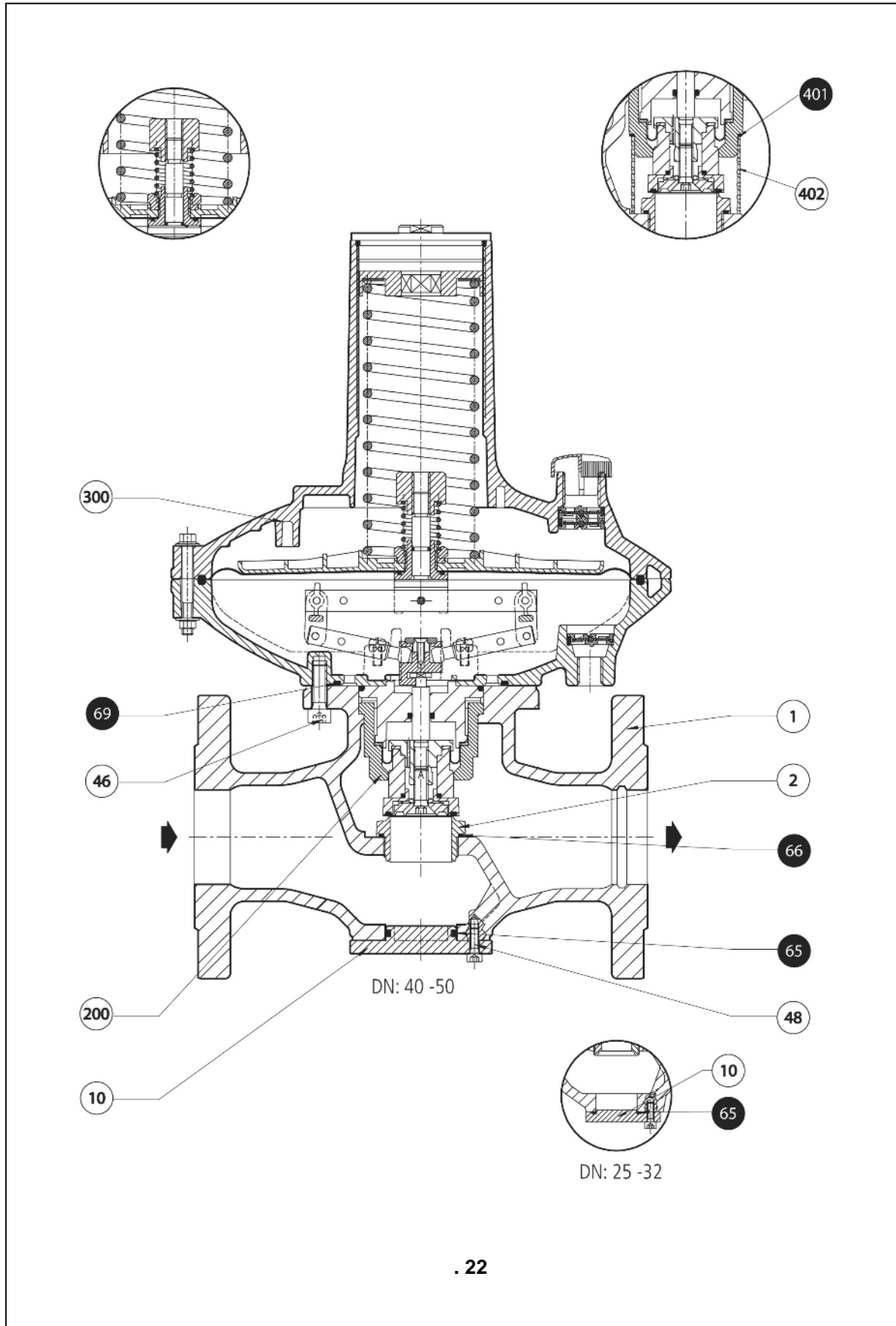


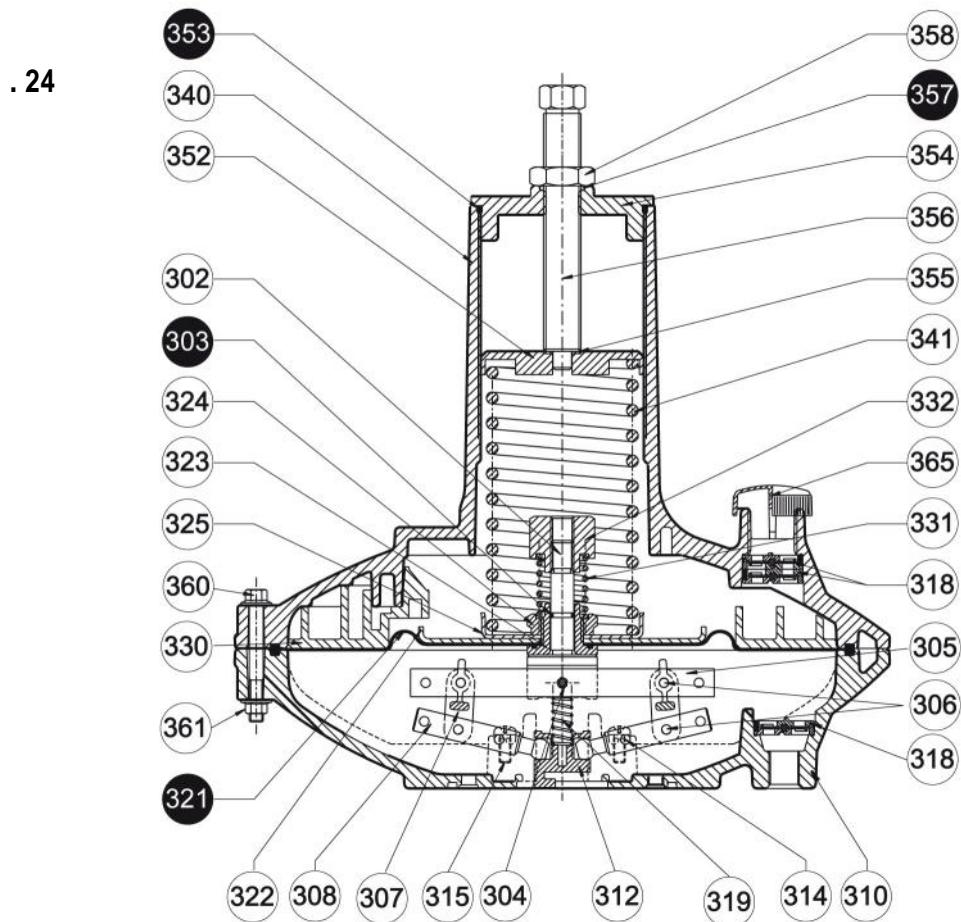
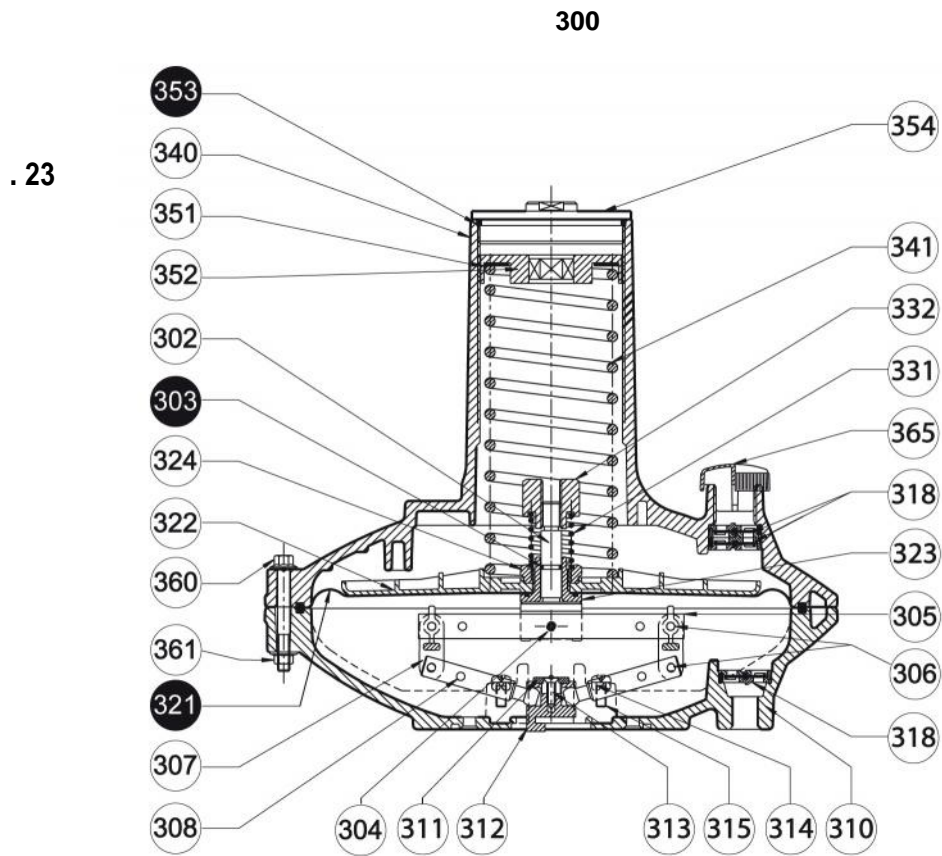
3)



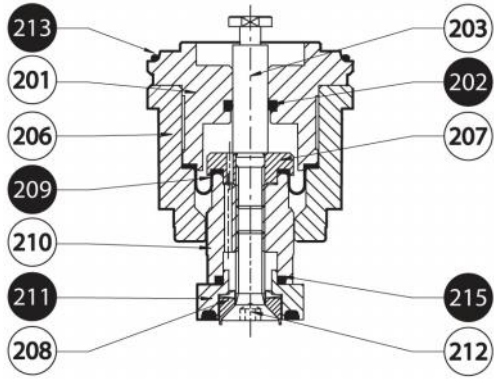
4)





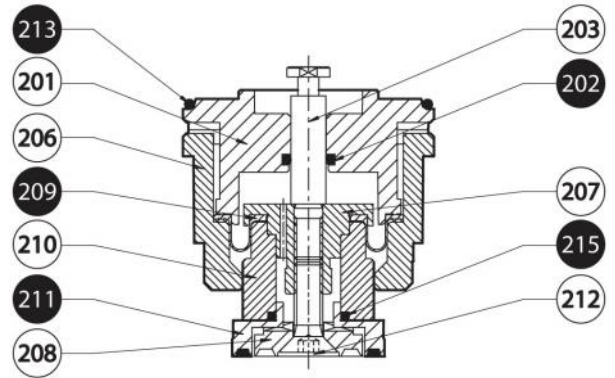


200



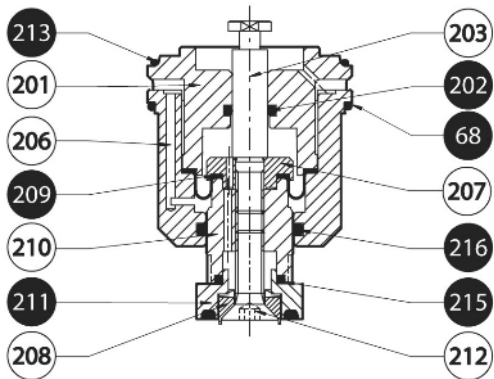
. 25a

(25 32)



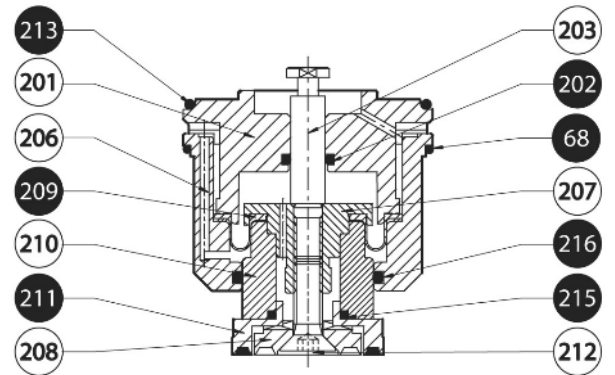
. 25b

(40 50)



. 26a

(25 32)



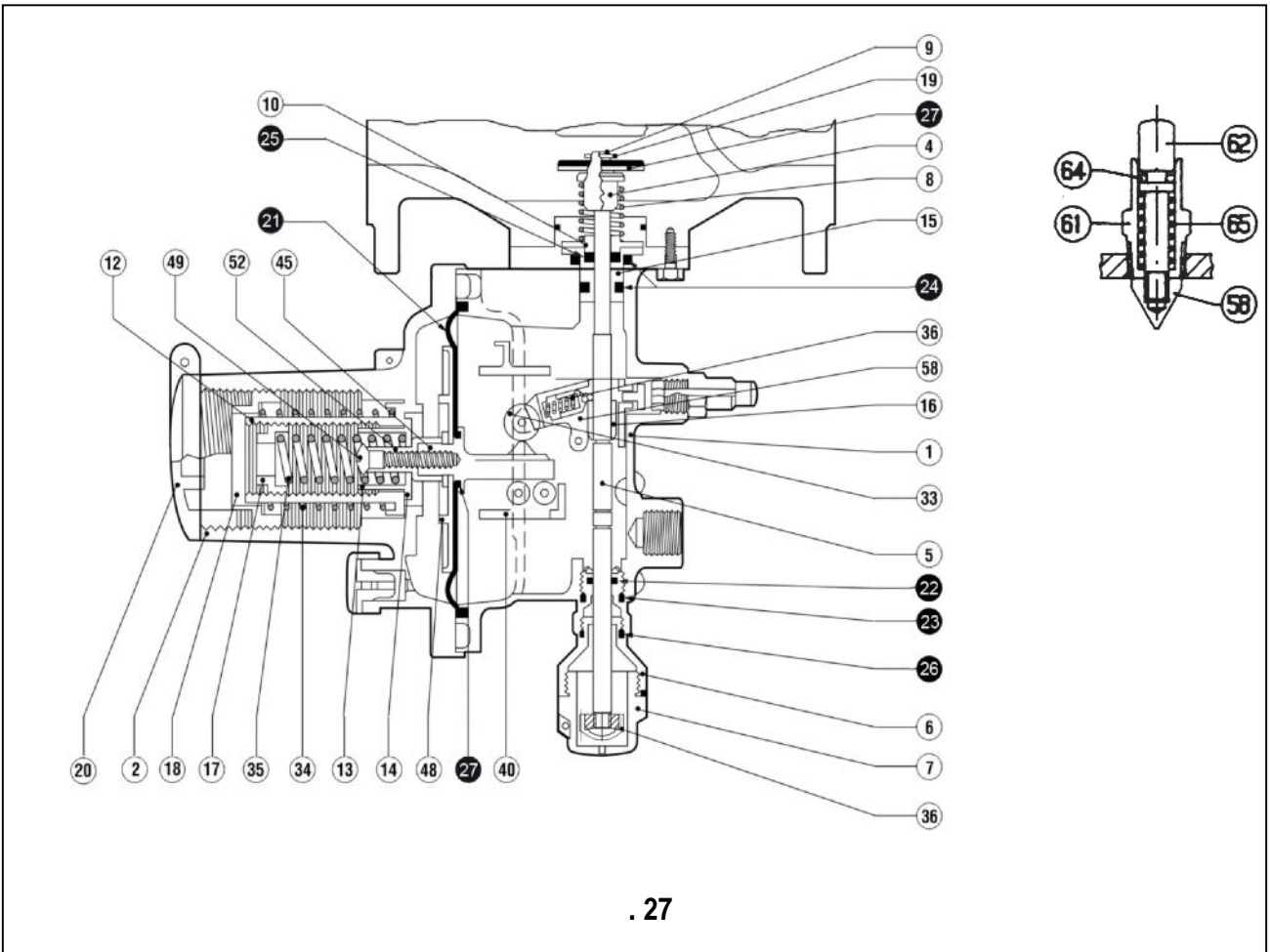
. 26b

(40 50)

7.5 LA/..(. 27)

- 1) ;
- 2) ;
- 3) ;
- 4) (18), (20) (17) (34) (35)
- 5) (12) (13); (41) (2)
- 6) (14); (1)
- 7) 45, 46, 48, 49, (45) (49);
- 8) (37) (7); (6)

- 9) 66, 19, 4 8, (22) (23) (19) (5). 9,
(5), (9) (4) (19);
- 10) (40) 29, 30, 33, 36, 38, 39 e 43;
- 11) (53) (51);
- 12) (61) (58) (62).










8.0

8.1

- 1) ;
:
;
;
2) .(7)
;
3) ;
4) ;
5) . (352)
;
6) ;

8.2

- 1)
- 2) /TR;
(354)
(358)

		
Ch. 8-9-10-11-12-13-14-15-16-17-18-19-20-21-22-23-24-25-26-27-41	L. 30	Ch. 8-9-10-11-12-13-14-15-16-17-18-19-20-24-26-27-36-46
		
Philips		
Ch. 3-4-5-6-7-8-19	Es.Ch PH 0 x 100 - PH 1x125 – PH 2x150	0,5x3x75 1,2x6,5x125
		
.10÷25 19÷60		



Pietro Fiorentini S.p.A.
via E.Fermi 8/10
I-36057 Arcugnano (VI)

. +39 0444 968.511
. +39 0444 960.468

www.fiorentini.com

via Rosellini 1
I-20124 Milano

. +39 02 696.14.21
. +39 02 688.04.57



АВИТОН

Официальный дистрибьютор
Pietro Fiorentini в России

**Адрес: 194100, Санкт-Петербург,
ул. Литовская, д.4, лит. А**
Телефон/факс: 8 (812) 677-19-58
E-mail: post@aviton.info